

ARENA – ACOUSTIC 8297

PROJECT PROJÉT
SPEC TYPE
NOTES

ORDERING SPECIFICATION SPÉCIFICATION DE COMMANDE CODE

MODEL MODÈLE

8297-40* ARENA – ACOUSTIC 40" (ONLY FOR 8220-36x36, 8220-36x54, 8220-36x96)
8297-58* ARENA – ACOUSTIC 58" (ONLY FOR 8220-54X54, 8220-36X54, 8220-54X96)
* ARENA – ACOUSTIC BAFFLE IS AN ACCESSORY USED WITH ARENA 8210** OR 8220 (SOLD SEPARATELY)
 ** USE WITH ARENA 8210 WHEN TWO LINEAR ARE INSTALLED AT 36" OR 54" IN FRONT OF EACH OTHER

BAFFLE FINISH FINI DÉFLECTEUR

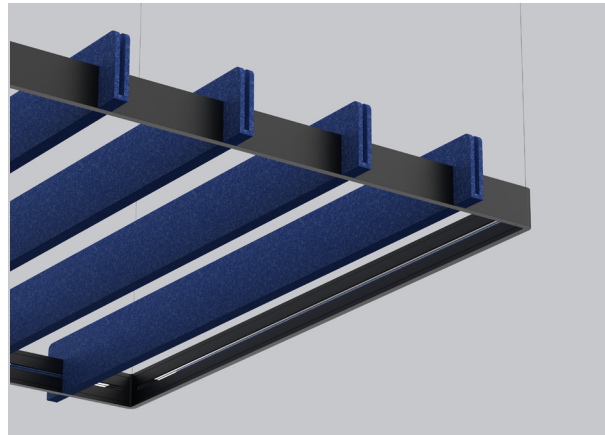
ABF AZURE BLUE FELT	BYF BANANA YELLOW FELT	REF RED FELT
AWF ARCTIC WHITE FELT	CHF CHARCOAL FELT	SGF SILVER GRAY FELT
BBF BASIC BLACK FELT	NBF NAVY BLUE FELT	TGF TITANIUM GRAY FELT
BOF BLOOD ORANGE FELT	OBF OCEAN BLUE FELT	ZFF ZINFANDEL FELT
BTF BATTLESHIP GRAY FELT	PGF PEAR GREEN FELT	

PLEASE SPECIFY PREMIUM COLOR CODE – SEE ACOUSTIC MATERIAL COLOR OPTIONS PAGE
*LONGER LEAD TIME MAY APPLY. PLEASE CONTACT YOUR EUREKA REPRESENTATIVE

PRODUCT CHARACTERISTICS CARACTÉRISTIQUES DU PRODUIT

BIM

- DESIGN:** This double layered acoustic baffle absorbs noise frequencies with a soft and functional aesthetic which enhances a rooms atmosphere. This sleek acoustic Arena accessory will help with volume control while adding a stunning design element to the decor.
- INSTALLATION:** Panels are placed on the ARENA STRAIGHT or SQUARE, no hardware required for easy on-site installation or reconfiguration of the lighting environment. You can install as many baffles as desired on the fixture.
- BAFFLE:** Custom CNC cut rigid felt acoustic panels available in 30 colors. Composed of minimum 40% of recycled polyethylene bottles (PET). Fully recyclable and odorless.
- CERTIFIED:** c-CSA-us
- CONCEPTION:** Avec ses doubles panneaux acoustiques, son esthétique douce et fonctionnelle rehausse l'ambiance. Cet élégant accessoire acoustique vous aidera à contrôler le volume de votre espace tout en ajoutant un élément de design époustoufflant au décor.
- INSTALLATION:** Les panneaux sont déposés sur le luminaire ARENA STRAIGHT ou SQUARE, aucun matériel n'est requis pour une installation ou une reconfiguration facile sur site. Vous pouvez installer cet accessoire autant de fois que vous le souhaitez.
- PANNEAU:** Les panneaux acoustiques en feutre rigide découpés CNC sur mesure sont disponibles en 30 couleurs. Composés d'au moins 40% de bouteilles en polyéthylène recyclé (PET) qui les rendent recyclables et inodores.
- CERTIFIÉ:** c-CSA-us

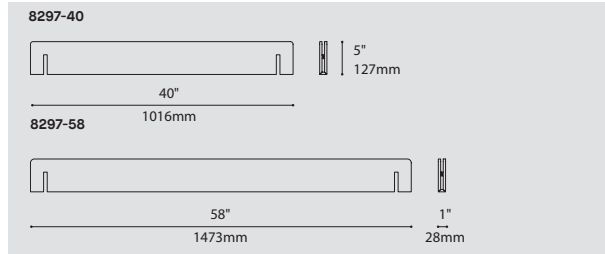


SHADE FINI



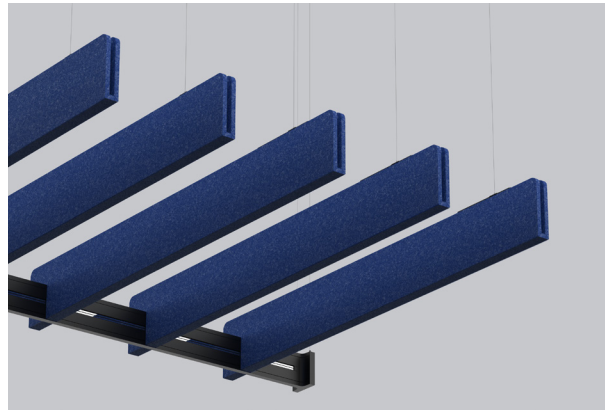
ADDITIONAL PREMIUM COLORS AVAILABLE - SEE ACOUSTIC MATERIAL COLOR OPTIONS PAGE

FAMILY FAMILLE



ARENA – ACOUSTIC SUSPENDED 8298

PROJECT PROJÉT
SPEC TYPE
NOTES

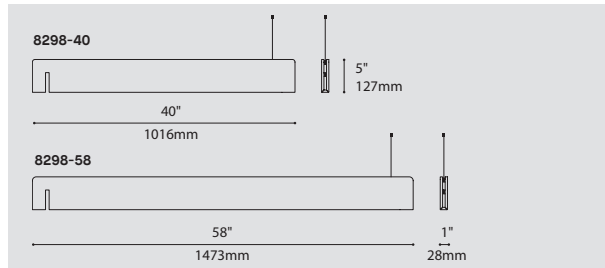


SHADE FINI



ADDITIONAL PREMIUM COLORS AVAILABLE – SEE ACOUSTIC MATERIAL COLOR OPTIONS PAGE

FAMILY FAMILLE



ORDERING SPECIFICATION SPÉCIFICATION DE COMMANDE

CODE

MODEL MODÈLE					
8298-40	ARENA – ACOUSTIC BAFFLE 40" WITH SUSPENSION CABLE				
8298-58	ARENA – ACOUSTIC BAFFLE 58" WITH SUSPENSION CABLE				
	ARENA – ACOUSTIC BAFFLE IS AN ACCESSORY USED WITH ARENA 8210 OR 8220 (SOLD SEPARATELY)				
CABLE CÂBLE					
AC	60" CABLE (STD LENGTH)				
**	CUSTOM CABLE LENGTH (PLEASE SPECIFY)				
BAFFLE FINISH FINI DÉFLECTEUR					
ABF	AZURE BLUE FELT	BYF	BANANA YELLOW FELT	REF	RED FELT
AWF	ARCTIC WHITE FELT	CHF	CHARCOAL FELT	SGF	SILVER GRAY FELT
BBF	BASIC BLACK FELT	NBF	NAVY BLUE FELT	TGF	TITANIUM GRAY FELT
BOF	BLOOD ORANGE FELT	OBF	OCEAN BLUE FELT	ZFF	ZINFANDEL FELT
BTF	BATTLESHIP GRAY FELT	PGF	PEAR GREEN FELT		

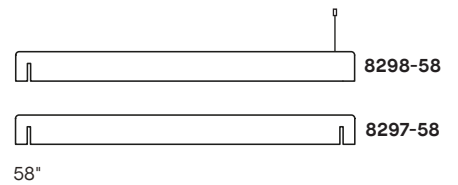
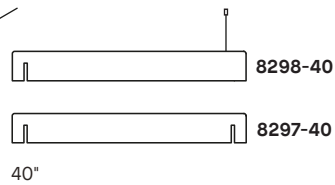
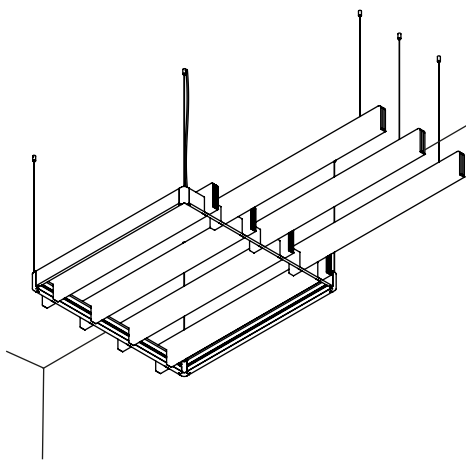
PLEASE SPECIFY PREMIUM COLOR CODE – SEE ACOUSTIC MATERIAL COLOR OPTIONS PAGE
*LONGER LEAD TIME MAY APPLY, PLEASE CONTACT YOUR EUREKA REPRESENTATIVE

PRODUCT CHARACTERISTICS CARACTÉRISTIQUES DU PRODUIT

BIM

- DESIGN:** This double layered acoustic baffle absorbs noise frequencies with a soft and functional aesthetic which enhances a rooms atmosphere. This sleek acoustic Arena accessory will help with volume control while adding a stunning design element to the decor.
- INSTALLATION:** The baffle is placed on the Arena on one end and supported on the other end by a ceiling mounted aircraft cable. You can install as many baffles as desired on the fixture.
- BAFFLE:** Custom CNC cut rigid felt acoustic panels available in 30 colors. Composed of minimum 40% of recycled polyethylene bottles (PET). Fully recyclable and odorless.
- CERTIFIED:** c-CSA-us
- CONCEPTION:** Avec ses doubles panneaux acoustiques de 40" ou 58", esthétique Avec ses doubles panneaux acoustiques, son esthétique douce et fonctionnelle rehausse l'ambiance. Cet élégant accessoire acoustique vous aidera à contrôler le volume de votre espace tout en ajoutant un élément de design époustouffant au décor.
- INSTALLATION:** L'accessoire est déposé d'un côté sur le luminaire ARENA et soutenue à l'autre extrémité par un câble d'acier et une attache au plafond. Vous pouvez en installer autant que vous le souhaitez sur le luminaire.
- PROJECTEUR:** Les panneaux acoustiques en feutre rigide découpés CNC sur mesure sont disponibles en 30 couleurs. Composés d'au moins 40% de bouteilles en polyéthylène recyclé (PET) qui les rendent recyclables et inodores.
- CERTIFIÉ:** c-CSA-us

ARENA - ACOUSTIC 8297 / 8298



NOISE REDUCTION

The arrangement of the vertical panels increases the effective surface area of sound absorbing material optimizing the acoustic performance of the luminaire.

The panels are available in 30 colors.

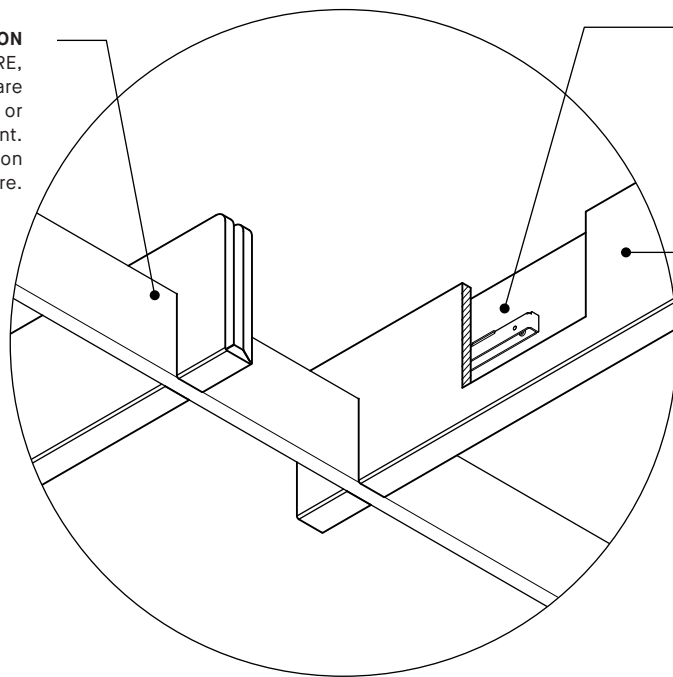
For all color options, refer to the Acoustic Material Color Options page.

TWO MOUNTING OPTIONS

This Accessory can be half suspended, half mounted on the structure or fully mounted on the ARENA structure.

INSTALLATION

Panels are dropped on ARENA SQUARE, RECTANGLE OR STRAIGHT, no hardware required for easy on-site installation or reconfiguration of the lighting environment. You can install as many blades as desired on the fixture.



DOUBLE SIDED PANEL
with reinforced brackets for structural integrity.



RECYCLED PANELS

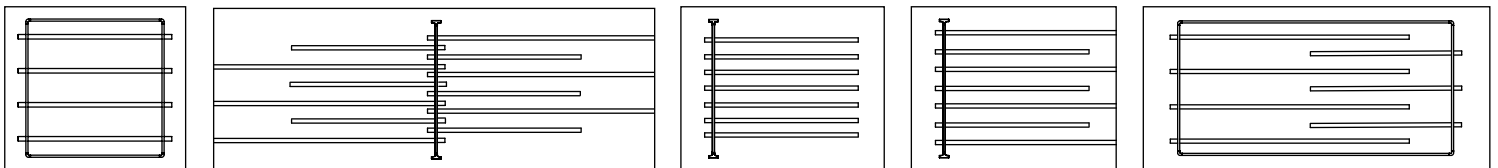
Custom CNC cut panels composed of polyester fibers (PET) with 42% recycled content. 100% recyclable, non-toxic, non-allergenic and non-irritable. The material is also low VOC and fire rated.



CLEANING

A proper and regular cleaning will help extend the lifespan of acoustic products. Periodic cleaning can be done with a vacuum or wiping with a damp microfiber cloth. Do not use any abrasive, soap, or chemical cleaner.

POSSIBLE PATTERNS



PRODUCT SPECIFICATIONS

8297-40"

8297-58"

8298-40"

8298-58"

INFORMATIONS

ACCESSORY WEIGHT

1.38LBS / 0.63 KG

1.63LBS / 0.74 KG

1.38LBS / 0.63 KG

1.63LBS / 0.74 KG

FELT

HIGH DENSITY 9MM POLYESTER FELT

ACOUSTIC

ACOUSTIC MATERIAL RATED AT 0.75 N

FIRE RATING

ASTM E84-13 (FELT MATERIAL ONLY)

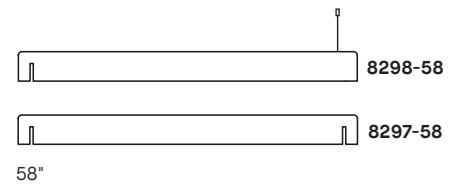
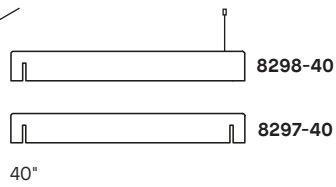
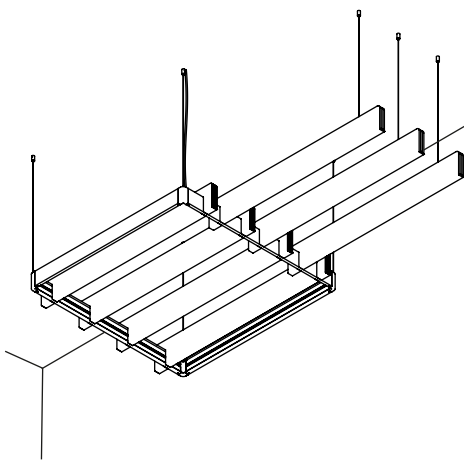


Visit our website for warranty terms and conditions.



TECHNICAL DATA

ARENA - ACOUSTIQUE 8297 / 8298



ATTÉNUATION DU BRUIT

La superposition des panneaux verticaux augmente la surface effective du matériel insonorisant, optimisant les performances acoustiques du luminaire.

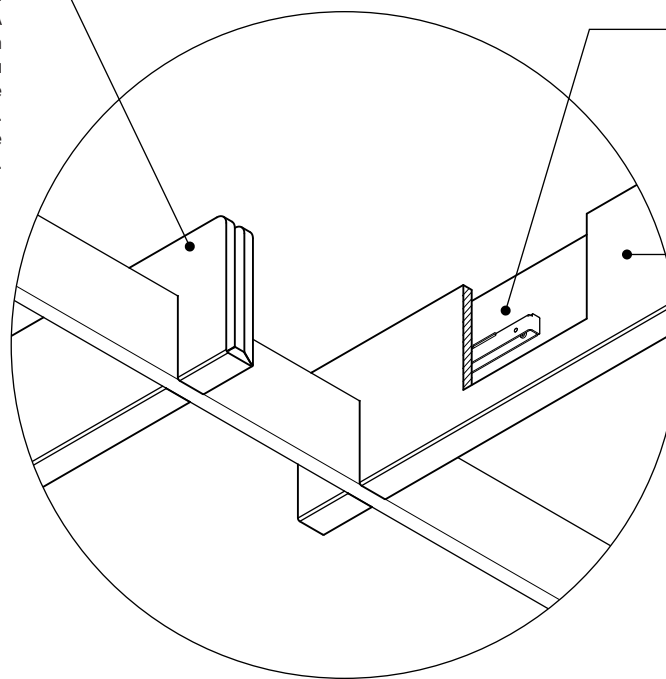
Les panneaux sont disponibles en 30 couleurs.
Pour toutes options de couleurs, consulter la page d'options de couleurs de matérielle acoustique.

DEUX OPTIONS DE MONTAGE

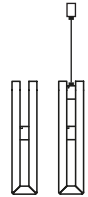
Cet accessoire peut être à moitié suspendu, à moitié supporté par la structure ou entièrement monté sur la structure ARENA.

INSTALLATION

Les panneaux sont déposés sur ARENA SQUARE, RECTANGLE OR STRAIGHT, aucun matériel requis pour une installation ou une reconfiguration facile de l'environnement d'éclairage sur place. Vous pouvez installer autant de lames que vous le souhaitez sur le luminaire.



PANNEAU À PAROIS DOUBLE
avec supports renforcés pour l'intégrité structurelle.



PANNEAUX RECYCLÉS

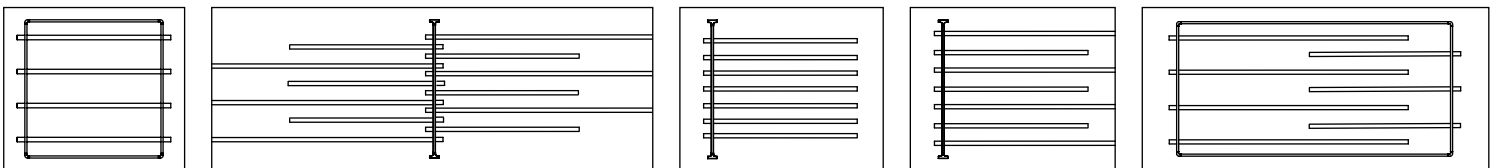
Panneaux composés de fibres de polyester (PET) avec 42% de matière recyclées. 100% recyclable, non-toxique, non-allergène et non-irritable. Faible teneur en COV et résistance au feu.



NETTOYAGE

Un nettoyage approprié et régulier contribuera à prolonger la durée de vie des produits acoustiques. Un nettoyage périodique peut être fait avec un aspirateur ou en essuyant avec un chiffon humide. Ne pas utiliser de produits abrasifs, de savon ou de produits

AGENCEMENTS POSSIBLES



SPÉCIFICATIONS PRODUIT

8297-40"

8297-58"

8298-40"

8298-58"

INFORMATIONS

POIDS DE L'ACCESSOIRE
FEUTRE
ACOUSTIQUE
RÉSISTANCE AU FEU

1.38LBS / 0.63 KG
FEUTRE DE POLYESTER HAUTE DENSITÉ 9MM
MATÉRIEL ACOUSTIQUE GRADÉ À 0.75 N
ASTM E84-13 (MATÉRIEL FEUTRE SEULEMENT)

1.63LBS / 0.74 KG

1.38LBS / 0.63 KG

1.63LBS / 0.74 KG



Visitez notre site Web pour les termes et conditions.



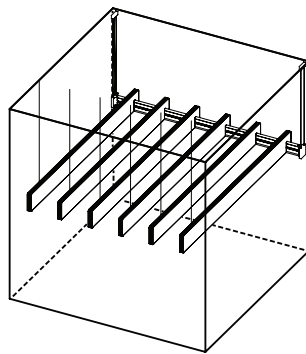
DONNÉES TECHNIQUES

Acoustic test results

The acoustic testing of our fixtures enables us to get data such as the average Sabins per object and the sound absorbing coefficient (Sabins/ft²). One Sabins is the equivalent of 1ft² of perfect sound absorption. For the ARENA, we tested two size of the fixture; the 40" and the 58". These were tested on a square spacing grid of 45" and placed 36" from the test surface (ceiling).

Arena 58" test

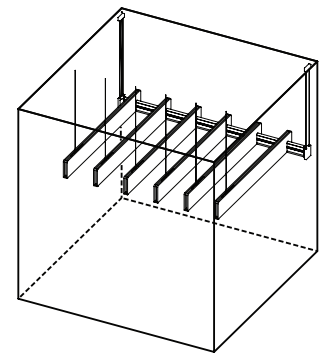
250Hz - 0.43 Sabins
 500Hz - 1.54 Sabins
 1000Hz - 2.61 Sabins
 2000Hz - 3.99 Sabins
 Average per panel:
2.15 Sabins



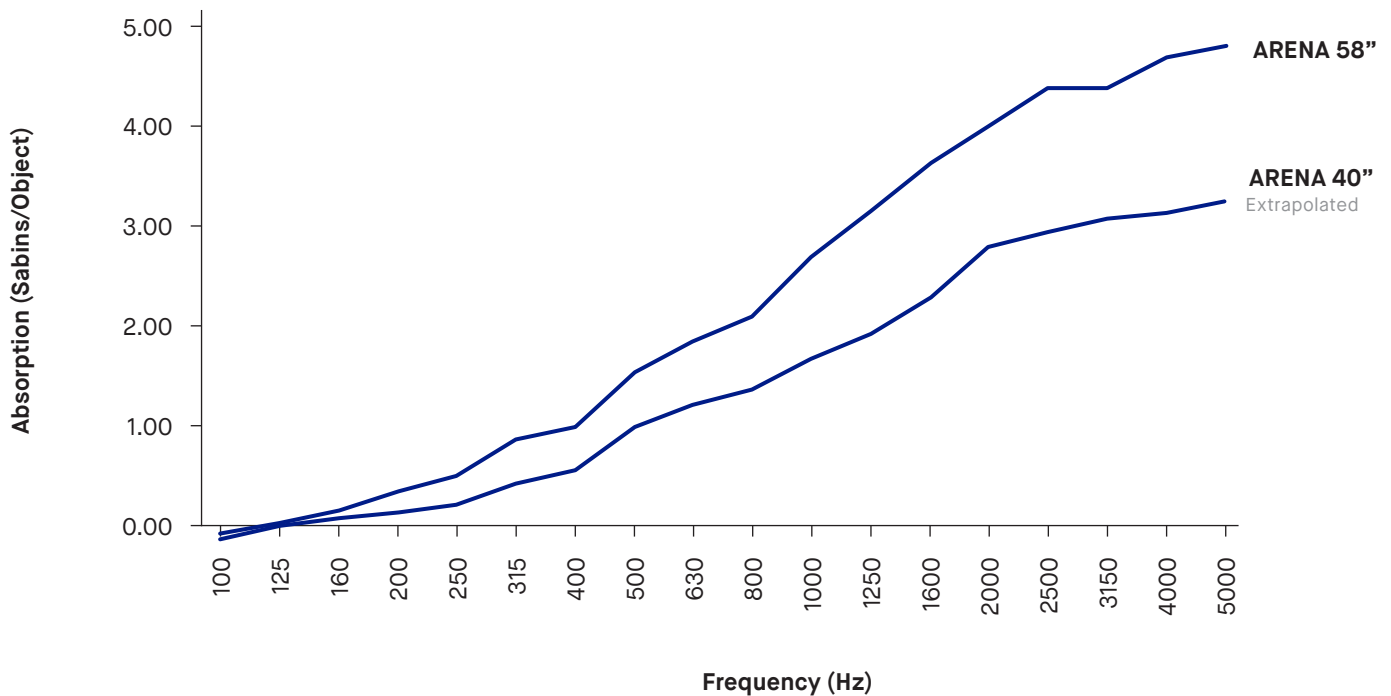
Arena 40" test

Extrapolated

250Hz - 0.29 Sabins
 500Hz - 1.05 Sabins
 1000Hz - 1.78 Sabins
 2000Hz - 2.73 Sabins
 Average per panel:
1.5 Sabins

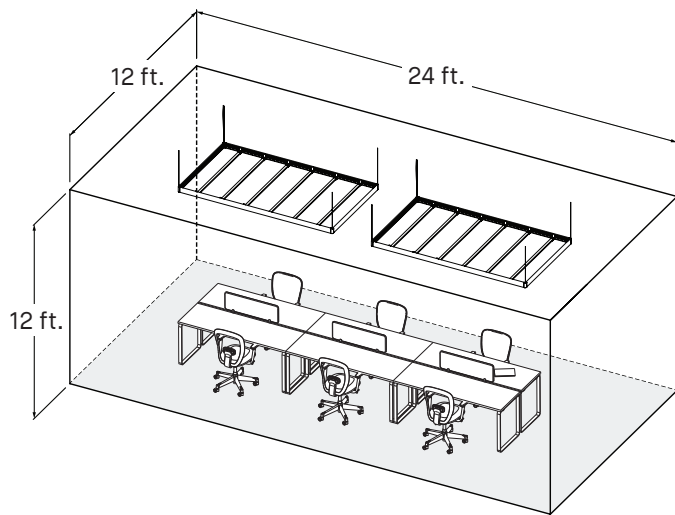


Sound Absorption



Reverberation time

Based on the test data, we are able to calculate the reverberation time of fixture layouts in a closed room and determine the extra amount (ft²) of sound absorbing material that would be required for a comfortable level. Reverberation time is the calculation of the time it takes for sound to fade by 60 dB in a closed space in seconds. As a reference, the WELL standard recommends a reverberation time of 0.5 seconds for an open office applications and 0.6 seconds for a conference room. Here are two acoustic scenarios using the ARENA acoustic accessory.



Scenario 1

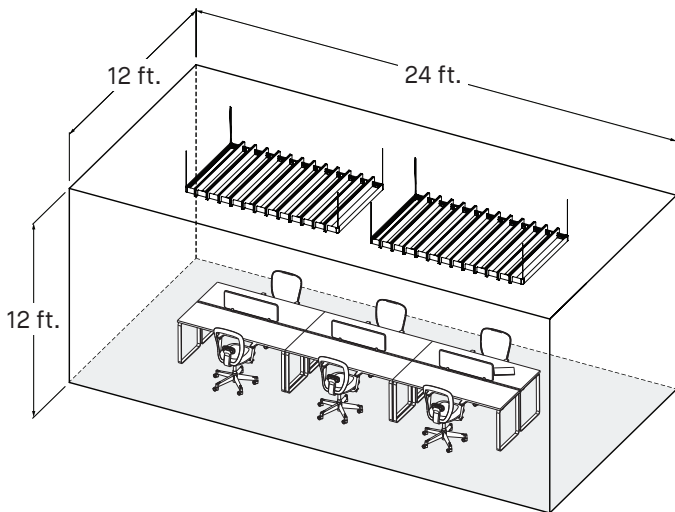
12x ARENA SLICE SQ 54'' spaced on
2x ARENA 54x96 hanging
12.5'' from the ceiling.

Average workplane illuminance

30 fc

Reverberation time

1.196 seconds



Scenario 2

12x ARENA ACOUSTIC 58'' with
12x ARENA SLICE SQ 54'' spaced on
2x ARENA 54x96 hanging
12.5'' from the ceiling.


Average workplane illuminance


30 fc

Reverberation time

0.928 seconds

+30% better acoustics

 Carpet on
concrete floor

 1/2'' sheetrock
walls and ceiling

SEE THE ACOUSTIC DATA DOCUMENT ON
OUR WEBSITE FOR MORE INFORMATION

Acoustic Material Color Options for Arena

Standard colors



ABF
Azure Blue



AWF
Arctic White



BBF
Basic Black



BOF
Blood Orange



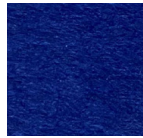
BTF
Battleship Gray



BYF
Banana Yellow



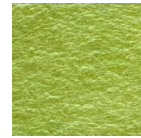
CHF
Charcoal



NBF
Navy Blue



OBF
Ocean Blue



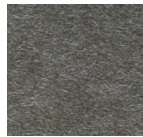
PGF
Pear Green



REF
Red



SGF
Silver Gray



TGF
Titanium Gray



ZFF
Zinfandel

Premium colors



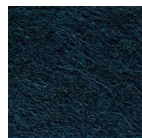
BGF
Bubble Gum



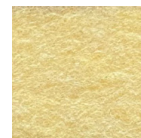
BKF
Bark Brown



DBF
Denim Blue



DTF
Deep Teal Green



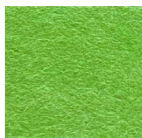
DYF
Daisy Yellow



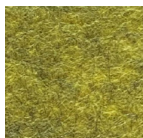
GGF
Grass Green



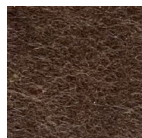
LBF
Light Beige



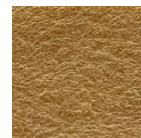
LGF
Lime Green



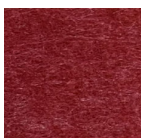
MGF
Moss Green



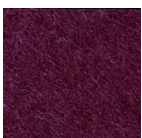
OAF
Oak Brown



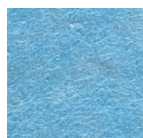
PBF
Peanut Brown



PNF
Pinot Noir



PPF
Plum Purple



SBF
Sky Blue



TOF
Tangerine Orange


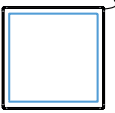
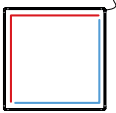
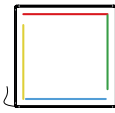






TPF
Tulip Purple

- Premium colors carry extended lead times. Additional fees may apply for expedited lead times. Please consult factory.
- Due to the dye process, colors may vary slightly from batch to batch.

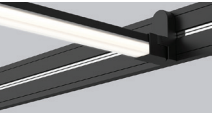
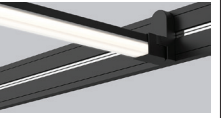
Arena Mapping

MIXING LIGHT SOURCES IS POSSIBLE AND RECOMMENDED. TO HELP YOU DO SO, SUBSTRACT THE DC LOAD OF EACH LIGHT SOURCE FROM THE MAXIMUM DC LOAD OF ARENA. DO NOT EXCEED MAXIMUM WEIGHT PER SIDE

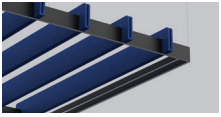
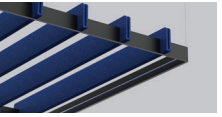
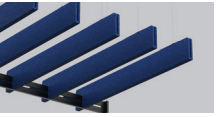
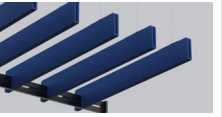
LUMINAIRE	FRAME CONFIGURATION *REFER TO 2D DRAWINGS FOR EACH SIZE.	ARENA RING	ARENA SQUARE & RECTANGLE			
		8200-36 8200-54	8220-36X36 8220-36X54	8220-54X54 8220-36X96 8220-54X96 8220-96X96	8220-36X190 8220-54X190 8220-96X190 8220-190X190	8220-36X380 8220-54X380 8220-96X380 8220-190X380 8220-380X380
						
	MAXIMUM TOTAL DC LOAD OF ACCESSORY	90W DC	90W DC	180W (90W DC PER 2 SIDES)	360W (90W DC PER SIDES)	540W, 720W (90W DC PER SECTION)
MAXIMUM TOTAL WEIGHT OF ACCESSORY	25 LBS	25 LBS / SIDE	25 LBS / SIDE	25 LBS / SECTION	25 LBS / SECTION	

LUMINAIRE	FRAME CONFIGURATION *REFER TO 2D DRAWINGS FOR EACH SIZE.	ARENA STRAIGHT		
		8210-36 (1 SECTION) 8210-54 (1 SECTION) 8210-70 (2 SECTIONS)	8210-96 (1 SECTION) 8210-158 (3 SECTIONS) 8210-190 (2 SECTIONS)	8210-284 (3 SECTIONS) 8210-380 (4 SECTIONS)
				
	MAXIMUM TOTAL DC LOAD OF ACCESSORY	90W (90W DC FOR BOTH SIDES)	180W (90W DC PER SECTION)	360W DC (90W DC PER SECTION)
MAXIMUM TOTAL WEIGHT OF ACCESSORY	25 LBS / SECTION	25 LBS / SECTION	25 LBS / SECTION	

ACCESSORIES HEAD	LIGHT SOURCES	BEAM	GLOW	AIM	CONE	BALL
		8290	8291	8292	8294	8295
						
	DC LOAD	8W DC	8W DC	8W DC	11W DC	8W DC
WEIGHT LBS	0.62 LBS	0.70 LBS	0.61 LBS	0.88 LBS	0.48 LBS	

ACCESSORIES SLICE	LIGHT SOURCES	SLICE-ROUND 8293 (ONLY FOR 8200)		SLICE-SQUARE 8296	
		8293-36	8293-54	8296-36	8296-54
					
	DC LOAD	8W DC	11W DC	8W DC	11W DC
WEIGHT LBS	1.24 LBS	1.65 LBS	2.22 LBS	3.50 LBS	

ACCESSORIES ADAPTER	LIGHT SOURCES	MILL 14"	SCOUT 02.75"	SCOUT 04"	MIKA 8"	BLOOM	MINI MUTE	CELESTE
		4277D-14	4048-XX	4049-XX	4230-8	4269-XX	4258-16	4010-CEL1
								
	DC LOAD	8W DC	8W DC	8W DC	8W DC	8W DC	11W DC	4W DC
WEIGHT LBS	11.3 LBS	MAX 4.32 LBS	MAX 6.05 LBS	2.40 LBS	MAX 9.75 LBS	5.83 LBS	2.20 LBS	

ACCESSORIES ACOUSTIC	ACOUSTIC CONFIGURATION	ACOUSTIC BAFFLE FOR ARENA SQUARE		ACOUSTIC BAFFLE FOR ARENA STRAIGHT	
		8297-40	8297-58	8298-40	8298-58
					
	WEIGHT LBS	1.38 LBS / PANEL	1.63 LBS / PANEL	1.38 LBS / PANEL	1.63 LBS / PANEL
CONFIGURATION USE FOR ARENA	8220-36X36 8220-36X54 8220-36X96	8220-54X54 8220-36X54 8220-54X96	8210-XX 8220-XX	8210-XX 8220-XX	

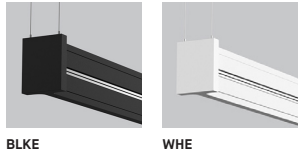
*WE RESERVE THE RIGHT TO MODIFY ANY INFORMATION AT ANY TIME.

ARENA STRAIGHT 8210

PROJECT PROJÉT
SPEC TYPE
NOTES



FINISH FINI



BLKE

WHE

FAMILY FAMILLE

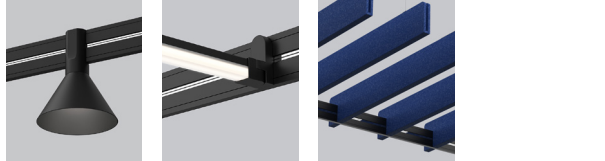


ARENA - BEAM 8290

ARENA - GLOW 8291

ARENA - AIM 8292

ARENA - BALL 8295

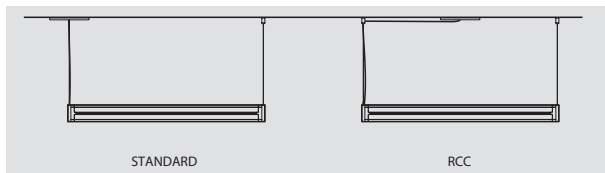


ARENA - CONE 8294

ARENA - SLICE SQ 8296

ARENA - ACOUSTIC 8298

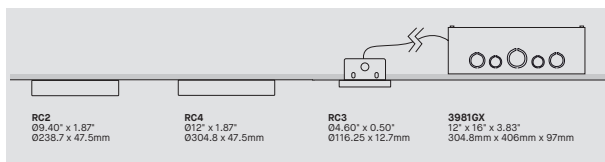
MOUNTING CABLE OPTION OPTION DE MONTAGE DE CÂBLE



STANDARD

RCC

MOUNTING OPTION OPTION DE MONTAGE



RC2
09.40" x 1.87"
0238.7 x 47.5mm

RC4
012" x 1.87"
0304.8 x 47.5mm

RC3
04.60" x 0.50"
0116.25 x 12.7mm

3981GX
12" x 10" x 3.83"
304.8mm x 406mm x 97mm

ORDERING SPECIFICATION SPÉCIFICATION DE COMMANDE

CODE

STANDARD MODEL MODÈLE STANDARD

8210-36	ARENA STRAIGHT 36"
8210-54	ARENA STRAIGHT 54"
8210-70	ARENA STRAIGHT 70" (2 SECTIONS CONNECTED WITH 1 JOINER)
8210-96	ARENA STRAIGHT 96"
8210-158	ARENA STRAIGHT 158" (3 SECTIONS CONNECTED WITH 2 JOINERS)
8210-190	ARENA STRAIGHT 190" (2 SECTIONS CONNECTED WITH 1 JOINER)
8210-285	ARENA STRAIGHT 285" (3 SECTIONS CONNECTED WITH 2 JOINERS)
8210-380	ARENA STRAIGHT 380" (4 SECTIONS CONNECTED WITH 3 JOINERS)

FOR CUSTOM SIZES, PLEASE CONTACT YOUR EUREKA REPRESENTATIVE.

DC LOAD PUISSANCE MAXIMALE DC

90W	1X 90 WATT (AVAILABLE FROM 36" TO 96")
180W	2X 90 WATT (AVAILABLE FROM 36" TO 190")
360W	4X 90 WATT (ONLY AVAILABLE FOR 285" TO 380")

ARENA STRAIGHT 8210	LIGHT SOURCES							ADAPTER TAA
	BEAM 8290	GLOW 8291	AIM 8292	SLICE-SQ 8296-36	SLICE-SQ 8296-54	BALL 8295	CONE 8294	
MAXIMUM DC LOAD 90W, 180W, 360W	8W DC	8W DC	8W DC	8W DC	11W DC	8W DC	11W DC	SEE SPEC SHEET
MAXIMUM TOTAL WEIGHT PER SECTION 25 LBS	0.62 LBS	0.70 LBS	0.61 LBS	2.22 LBS	3.50 LBS	0.48 LBS	0.88 LBS	

VOLTAGE VOLTAGE

120V	120 VOLT
277V	277 VOLT

CONTROL OPTIONS OPTION DE CONTRÔLE

DV	0-10V DIMMING (120V-277V)
NLTAIR2*	NLIGHT AIR CONTROL GEN2 (NOT AVAILABLE WITH MOUNTING OPTION RC3)
NLIGHT*	NLIGHT WIRED CONTROL (NOT AVAILABLE WITH MOUNTING OPTION RC3)

LED DIMMING DRIVER IS STANDARD IN THIS PRODUCT
*NLIGHT INTEGRATION REQUIRES A REMOTE POWER PACK (39NLAA & 39NLWA AS BELOW FOR NLIGHT). REFER TO NLIGHT GUIDE AND INSTALLATION SHEET FOR ALL REQUIREMENTS.

CABLE CÂBLE

AC	AIRCRAFT CABLE & POWER CORD, FIELD ADJUSTABLE
----	---

CABLE LENGTH LONGUEUR DE CÂBLE

60	60" AIRCRAFT CABLE (STD LENGTH)
**	CUSTOM AIRCRAFT CABLE LENGTH (PLEASE SPECIFY)

FOR OVERALL LENGTH, PLEASE CONTACT YOUR EUREKA REPRESENTATIVE.

MOUNTING MONTAGE

RC2	ROUND SURFACE SCREWLESS CANOPY 9.4" FOR 90W ONLY (2475I)
RC3	ROUND SURFACE SCREWLESS CANOPY 4.6" FOR REMOTE DRIVER BOX 12"X16" (2471C) (PAIR WITH ACCESSORY 3981GA OR 3981GB)
RC4	ROUND SURFACE SCREWLESS CANOPY 12" FOR 180W OR 360W (2477I)

MOUNTING CABLE OPTION OPTION DE MONTAGE DE CÂBLE

RCC	FLOATING CANOPY - STRAIGHT AIRCRAFT CABLES IF NO OPTION IS SELECTED, A CANOPY AT END OF THE FIXTURE WITH AIRCRAFT CABLES IS STANDARD
-----	---

CANOPY & GRIPPERS FINISH FINI PAVILLON ET ATTACHES

BLKE	BLACK FINE TEXTURE
WHE	WHITE FINE TEXTURE

POWER CORD FINISH FINI CÂBLE D'ALIMENTATION

BLK	BLACK POWER CORD
WH	WHITE POWER CORD
CLR	CLEAR POWER CORD

FRAME FINISH FINI DU CADRE

BLKE	BLACK FINE TEXTURE
WHE	WHITE FINE TEXTURE

ACCESSORY ACCESSOIRE

3981GA	1 REMOTE DRIVER BOX 12"X16" FOR MOUNTING RC3 FOR DC LOAD 90W
3981GB	1 REMOTE DRIVER BOX 12"X16" FOR MOUNTING RC3 FOR DC LOAD 180W
3981GB2	2 REMOTE DRIVER BOXES 12"X16" FOR MOUNTING RC3 FOR DC LOAD 360W
39NLAA*	NLIGHT AIR GEN 2 REMOTE CONTROLLER (NOT AVAILABLE WITH MOUNTING OPTION RC3)
39NLWA*	NLIGHT WIRED REMOTE CONTROLLER (NOT AVAILABLE WITH MOUNTING OPTION RC3)

* FOR CHICAGO PLENUM INSTALLATION, PLEASE CONTACT YOUR EUREKA REPRESENTATIVE

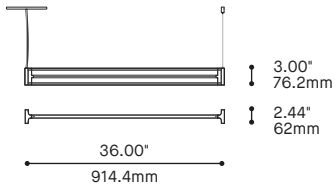


SPECIFICATION

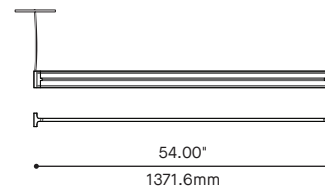
ARENA STRAIGHT 8210

CONFIGURATIONS

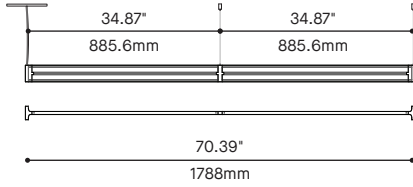
8210-36
ARENA STRAIGHT 36"



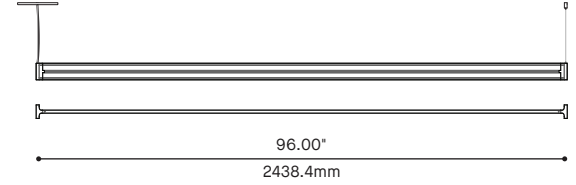
8210-54
ARENA STRAIGHT 54"



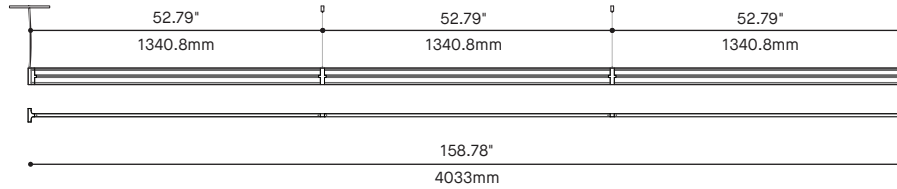
8210-70
ARENA STRAIGHT 70.4"



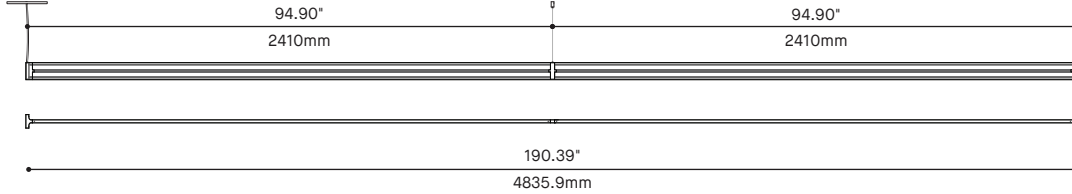
8210-96
ARENA STRAIGHT 96"



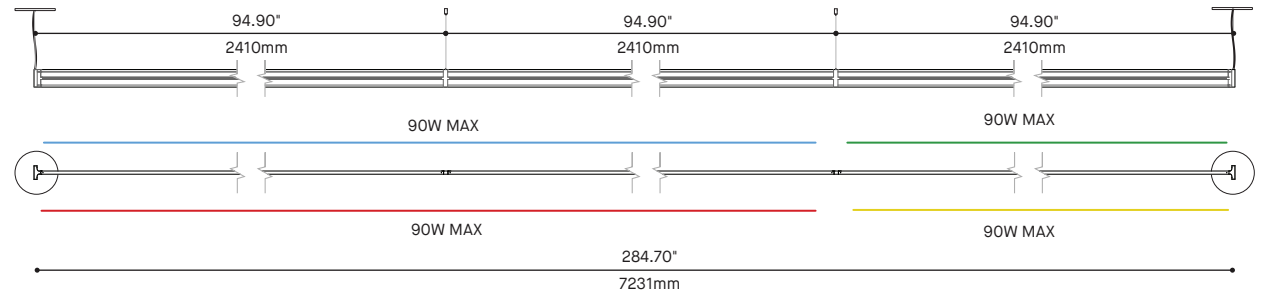
8210-158
ARENA STRAIGHT 158.78"



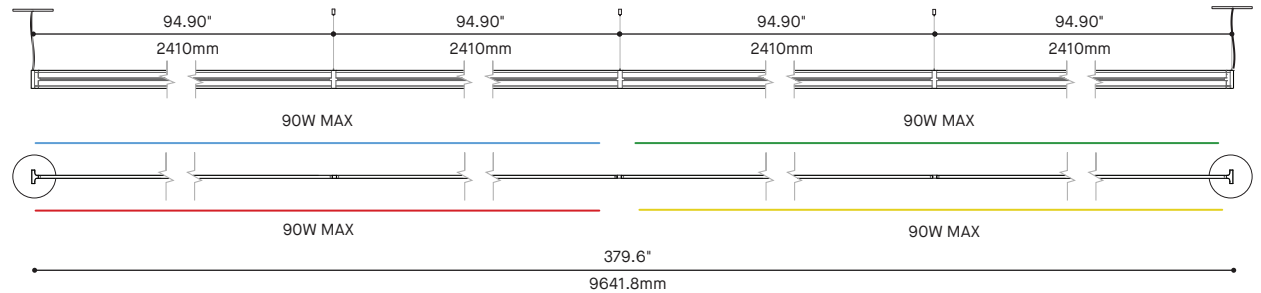
8210-190
ARENA STRAIGHT 190.39"



8210-284
ARENA STRAIGHT 284.7"

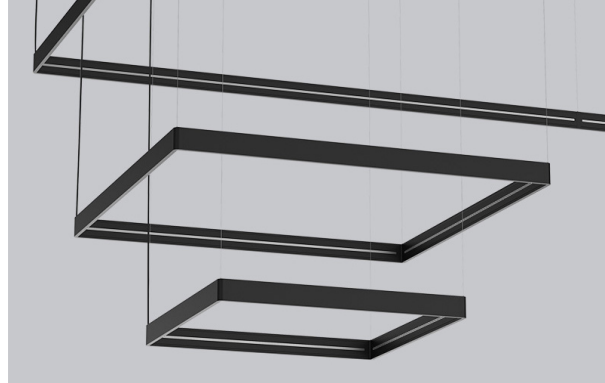


8210-380
ARENA STRAIGHT 379.6"

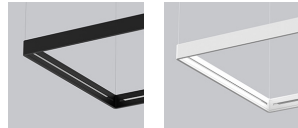


ARENA SQUARE & RECTANGLE 8220

PROJECT PROJÉT
SPEC TYPE
NOTES



FINISH FINI



BLKE

WHE

FAMILY FAMILLE



ARENA - BEAM 8290

ARENA - GLOW 8291

ARENA - AIM 8292

ARENA - BALL 8295

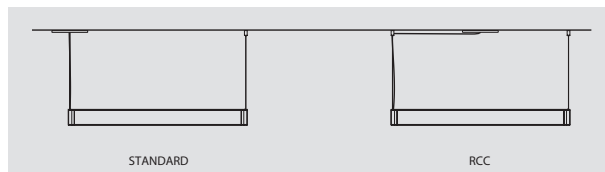


ARENA - CONE 8294

ARENA - SLICE SQ 8296

ARENA - ACOUSTIC 8298

MOUNTING CABLE OPTION OPTION DE MONTAGE DE CÂBLE



STANDARD

RCC

ORDERING SPECIFICATION SPÉCIFICATION DE COMMANDE

CODE

STANDARD MODEL MODÈLE STANDARD

8220-36X36	ARENA SQUARE 36X36"	8220-36X190	ARENA RECTANGLE 36X190"
8220-54X54	ARENA SQUARE 54X54"	8220-54X190	ARENA RECTANGLE 54X190"
8220-96X96	ARENA SQUARE 96X96"	8220-96X190	ARENA RECTANGLE 96X190"
8220-190X190	ARENA SQUARE 190X190"	8220-36X380	ARENA RECTANGLE 36X380"
8220-380X380	ARENA SQUARE 380X380"	8220-54X380	ARENA RECTANGLE 54X380"
8220-36X54	ARENA RECTANGLE 36X54"	8220-96X380	ARENA RECTANGLE 96X380"
8220-36X96	ARENA RECTANGLE 36X96"	8220-190X380	ARENA RECTANGLE 190X380"
8220-54X96	ARENA RECTANGLE 54X96"		

FOR CUSTOM SIZES, PLEASE CONTACT YOUR EUREKA REPRESENTATIVE.

DC LOAD PUISSANCE MAXIMALE DC

90W	1 CANOPY / 1 DRIVER OF 90W
180W	1 CANOPY / 2 DRIVERS OF 90W
360W	2 CANOPY / 4 DRIVERS OF 90W
540W	4 CANOPY / 6 DRIVERS OF 90W
720W	4 CANOPY / 8 DRIVERS OF 90W

8220	36"	54"	96"	190"	380"
36"	90W				
54"		180W			
96"			180W	360W	540W
190"					
380"					720W

ARENA
SQUARE 8220
MAXIMUM DC LOAD SEE TABLE
MAXIMUM TOTAL WEIGHT PER SECTION 25 LBS

LIGHT SOURCES							
BEAM 8290	GLOW 8291	AIM 8292	SLICE-SQ 8296-36	SLICE-SQ 8296-54	BALL 8295	CONE 8294	ADAPTER TAA
8W DC	8W DC	8W DC	8W DC	11W DC	8W DC	11W DC	SEE SPEC SHEET
0.62 LBS	0.70 LBS	0.61 LBS	2.22 LBS	3.50 LBS	0.48 LBS	0.88 LBS	

VOLTAGE VOLTAGE

120V	120 VOLT
277V	277 VOLT

CONTROL OPTIONS OPTION DE CONTRÔLE

DV	0-10V DIMMING (120V-277V)
NLTAIR2*	NLIGHT AIR CONTROL GEN2 (NOT AVAILABLE WITH MOUNTING OPTION RC3)
NLIGHT*	NLIGHT WIRED CONTROL (NOT AVAILABLE WITH MOUNTING OPTION RC3)
	LED DIMMING DRIVER IS STANDARD IN THIS PRODUCT
	*NLIGHT INTEGRATION REQUIRES A REMOTE POWER PACK (39NLAA & 39NLWA AS BELOW FOR NLIGHT). REFER TO NLIGHT GUIDE AND INSTALLATION SHEET FOR ALL REQUIREMENTS.

CABLE CÂBLE

AC	AIRCRAFT CABLE & POWER CORD, FIELD ADJUSTABLE
----	---

AC

CABLE LENGTH LONGUEUR DE CÂBLE

60	60" AIRCRAFT CABLE (STD LENGTH)
**	CUSTOM AIRCRAFT CABLE LENGTH (PLEASE SPECIFY)
	FOR OVERALL LENGTH, PLEASE CONTACT YOUR EUREKA REPRESENTATIVE.

MOUNTING MONTAGE

RC2	ROUND SURFACE SCREWLESS CANOPY 9.4" FOR 90W ONLY (24751)
RC3	ROUND SURFACE SCREWLESS CANOPY 4.6" FOR REMOTE DRIVER BOX 12"X16" (2471C) (PAIR WITH ACCESSORY 3981GA OR 3981GB)
RC4	ROUND SURFACE SCREWLESS CANOPY 12" FOR 180W OR 360W (24771)

MOUNTING CABLE OPTION OPTION DE MONTAGE DE CÂBLE

RCC	FLOATING CANOPY - STRAIGHT AIRCRAFT CABLES
	IF NO OPTION IS SELECTED, A CANOPY AT CORNERS OF THE FIXTURE WITH AIRCRAFT CABLES IS STANDARD

CANOPY & GRIPPERS FINISH FINI PAVILLON ET ATTACHES

BLKE	BLACK FINE TEXTURE
WHE	WHITE FINE TEXTURE

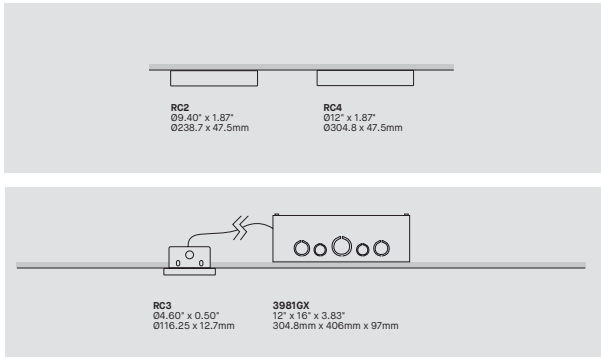
POWER CORD FINISH FINI CÂBLE D'ALIMENTATION

BLK	BLACK POWER CORD
WH	WHITE POWER CORD
CLR	CLEAR POWER CORD

FRAME FINISH FINI DU CADRE

BLKE	BLACK FINE TEXTURE
WHE	WHITE FINE TEXTURE

MOUNTING OPTION OPTION DE MONTAGE



ACCESSORY ACCESSOIRE

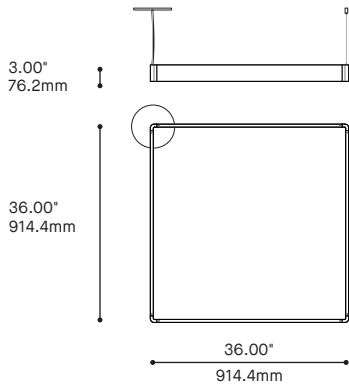
- 3981GA** 1 REMOTE DRIVER BOX 12"X16" FOR MOUNTING RC3 FOR DC LOAD 90W
- 3981GB** 1 REMOTE DRIVER BOX 12"X16" FOR MOUNTING RC3 FOR DC LOAD 180W
- 3981GB2** 2 REMOTE DRIVER BOXES 12"X16" FOR MOUNTING RC3 FOR DC LOAD 360W
- 3981GB3** 3 REMOTE DRIVER BOXES 12"X16" FOR MOUNTING RC3 FOR DC LOAD 540W
- 3981GB4** 4 REMOTE DRIVER BOXES 12"X16" FOR MOUNTING RC3 FOR DC LOAD 720W
- 39NLAA*** NLIGHT AIR GEN 2 REMOTE CONTROLLER (NOT AVAILABLE WITH MOUNTING OPTION RC3)
- 39NLWA*** NLIGHT WIRED REMOTE CONTROLLER (NOT AVAILABLE WITH MOUNTING OPTION RC3)

* FOR CHICAGO PLENUM INSTALLATION, PLEASE CONTACT YOUR EUREKA REPRESENTATIVE

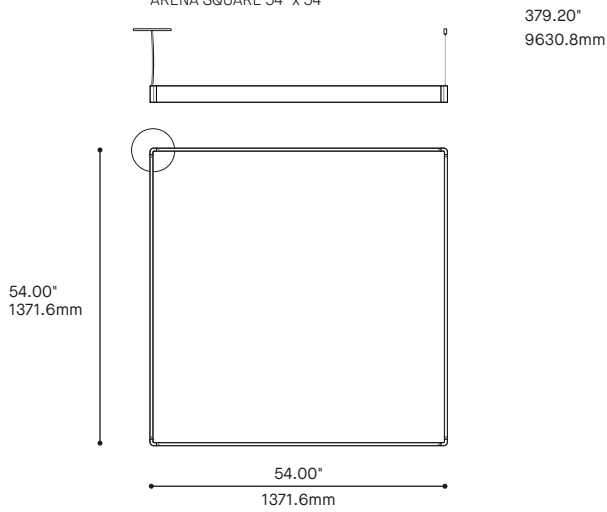
ARENA SQUARE 8220

CONFIGURATIONS

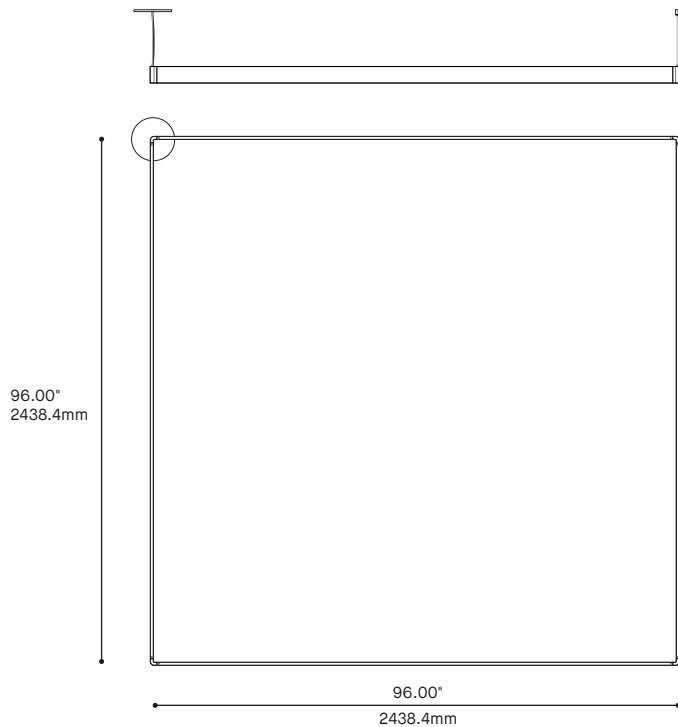
8220-36X36
ARENA SQUARE 36" x 36"



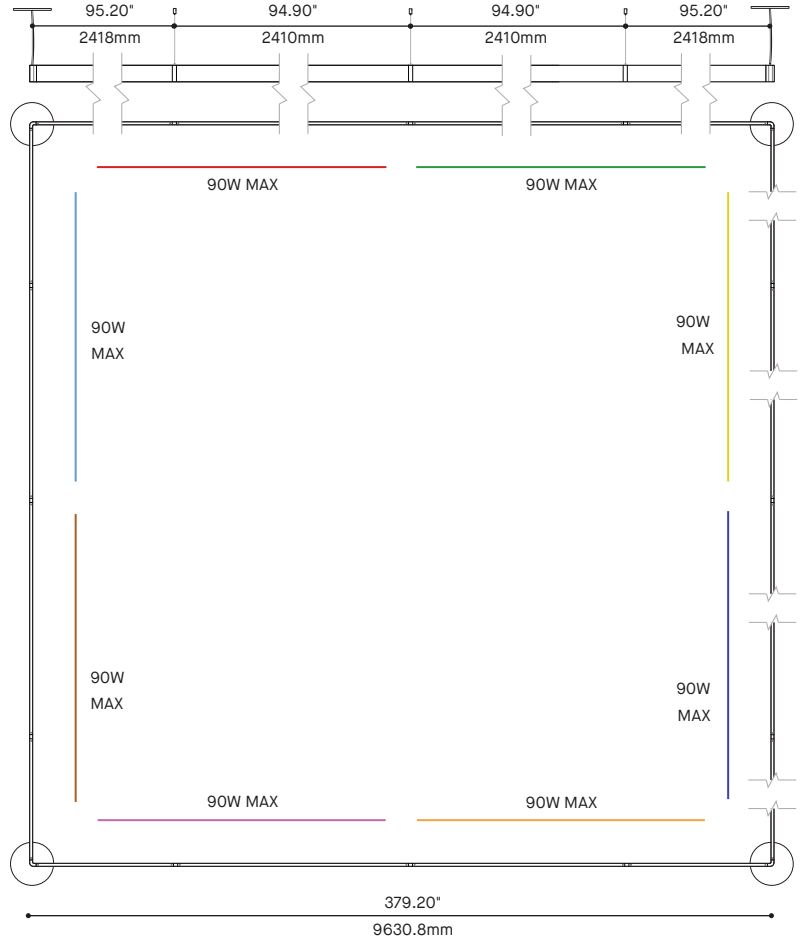
8220-54X54
ARENA SQUARE 54" x 54"



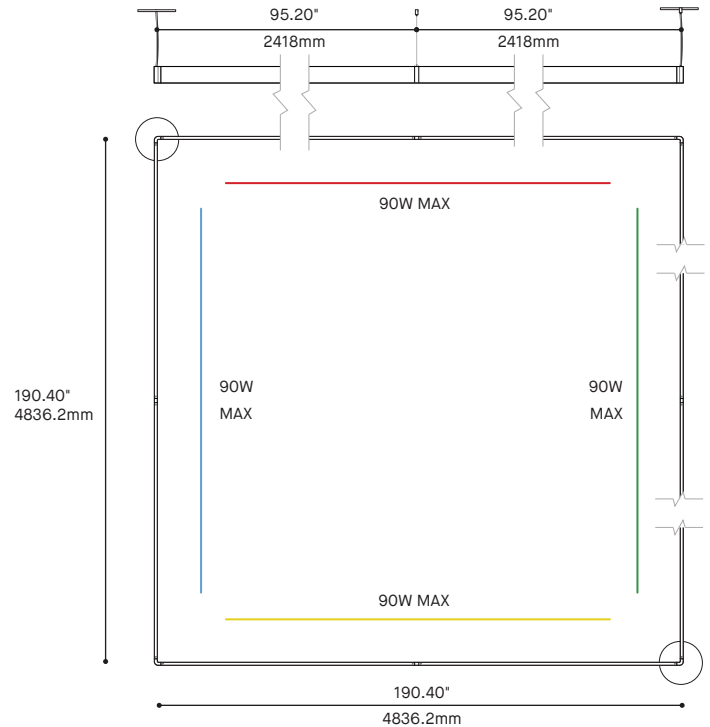
8220-96X96
ARENA SQUARE 96" x 96"



8220-380X380
ARENA SQUARE 380" x 380"

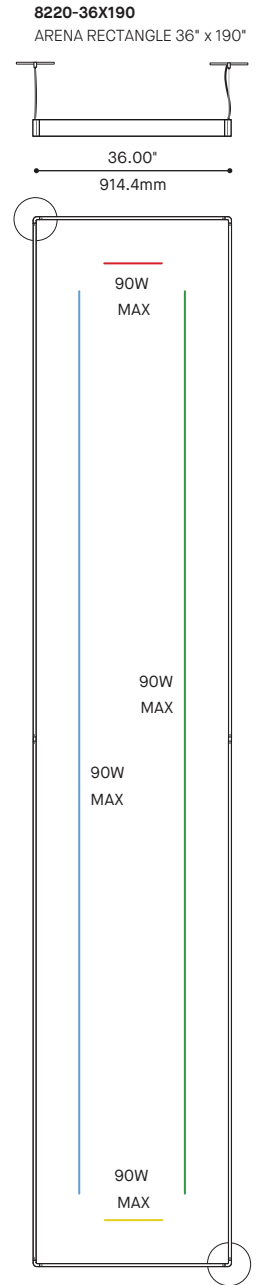
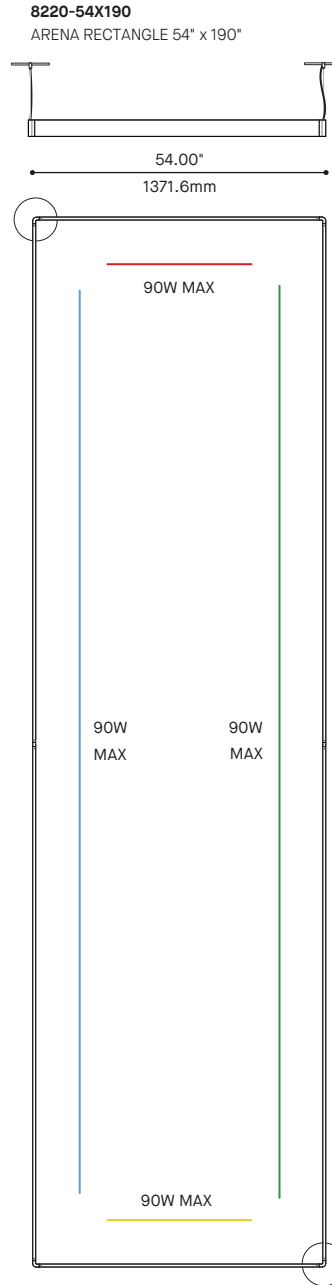
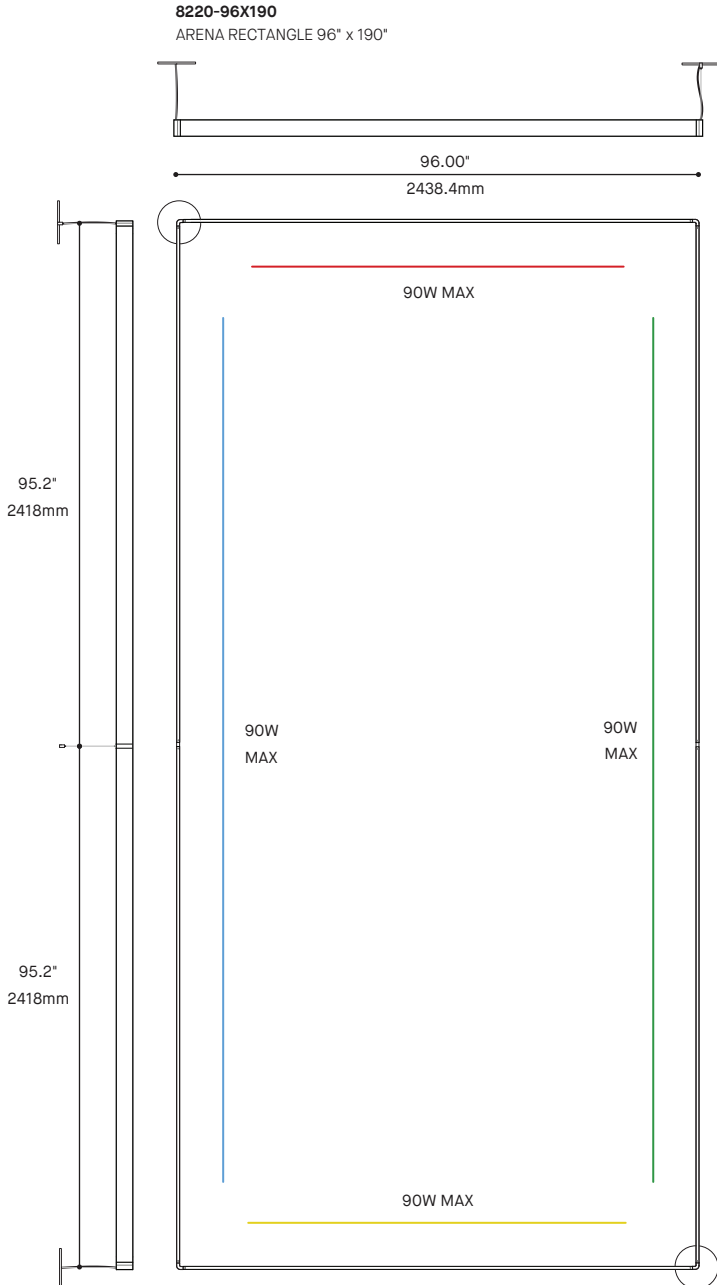
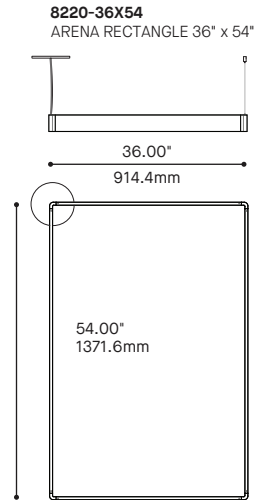
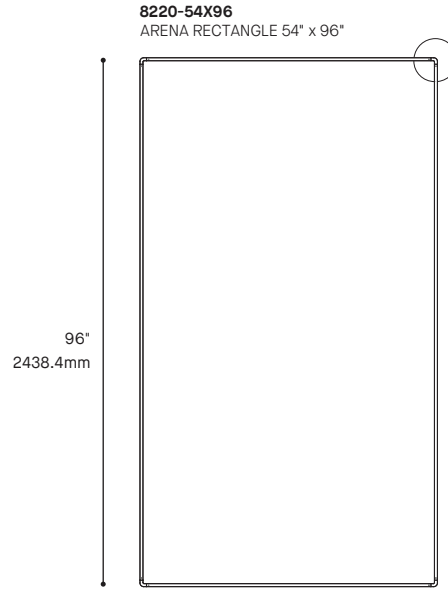
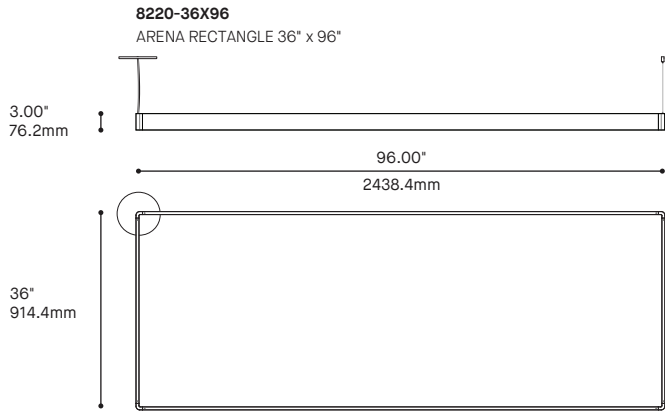


8220-190X190
ARENA SQUARE 190" x 190"



ARENA RECTANGLE 8220 1/2

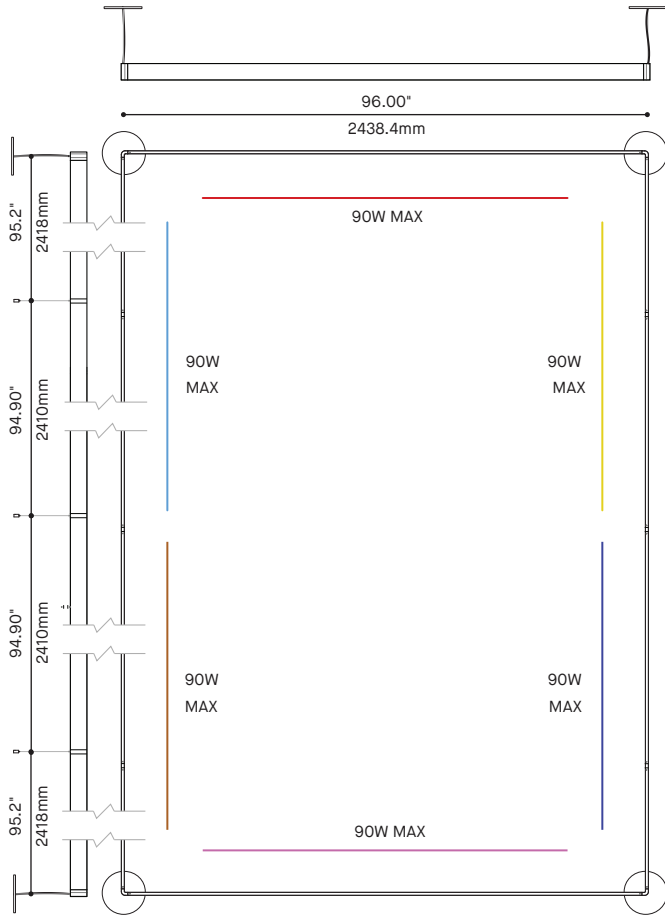
CONFIGURATIONS



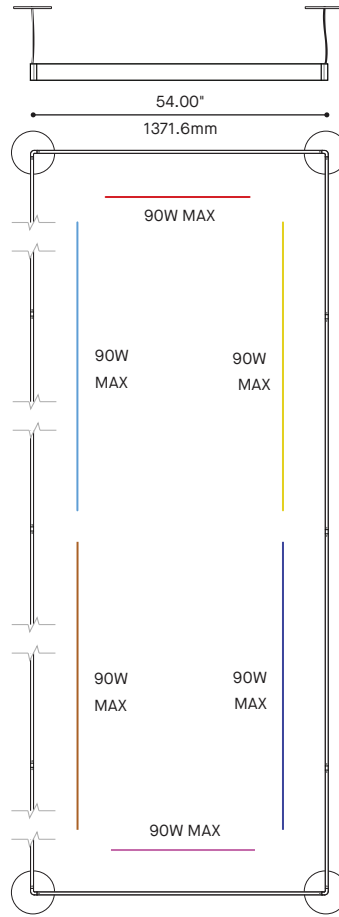
ARENA RECTANGLE 8220 2/2

CONFIGURATIONS

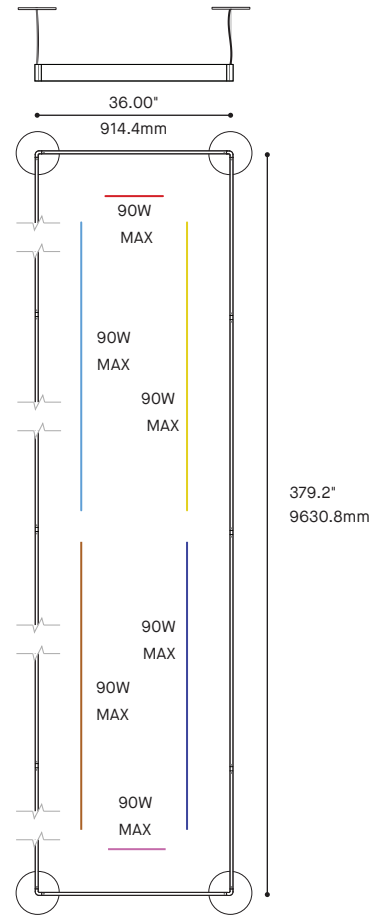
8220-96X380
ARENA SQUARE 96" x 380"



8220-54X380
ARENA RECTANGLE 54" x 380"



8220-36X380
ARENA RECTANGLE 36" x 380"



8220-190X380
ARENA RECTANGLE 190" x 380"

